

PERFORMANCE DATA SHEET NEMA PREMIUM NR CAN NEMA 12 - 12

Catalogue #: MPP-107

| HP | kW | Voltage | S.F. @ 60Hz | EFF. | P.F. | Frame | Design | L.R. Amps |
|-----|--------|---------|-------------|-------|------|-------|--------|-----------|
| 300 | 223,80 | 575 | 1,15 | 96,2% | 0,87 | 449T | B | 1760 |

| 60 Hz | | | | | | | | |
|-------|-----|-----|-----|-----|-----|-----|------|----------|
| FLA | | | | | | | Code | F.L. RPM |
| 208 | 230 | 416 | 460 | 480 | 575 | 600 | | |
| / | / | / | / | / | 268 | / | G | 1790 |

| 50 Hz | | | | | | | |
|-------|-----|-----|-------------|------------|--------------|------|----------|
| FLA | | | S.F. @ 50Hz | Efficiency | Power Factor | Code | F.L. RPM |
| 190 | 380 | 415 | | | | | |
| / | / | / | / | / | / | / | / |

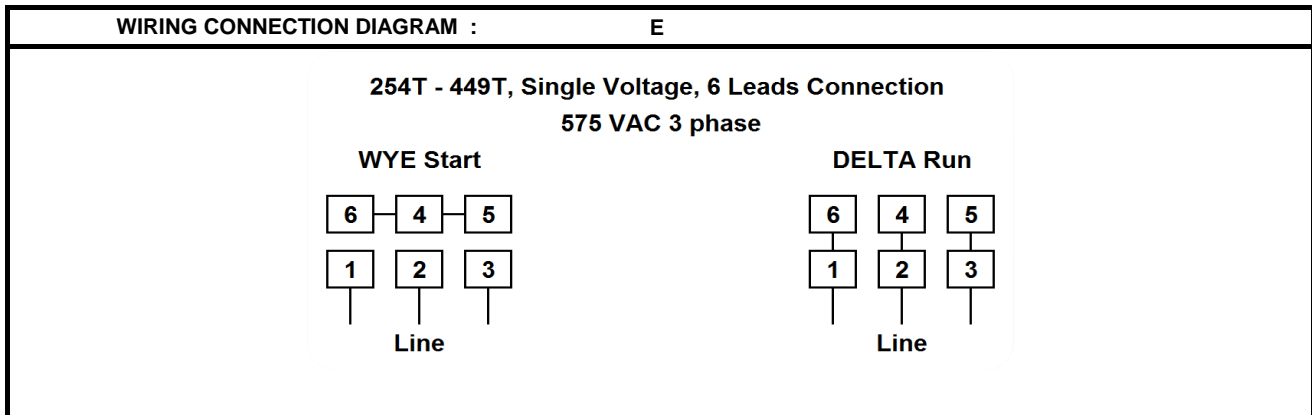
| Wgt. Lbs | PH | Duty | Insul. Class | Amb. | Elevation | Temp. Rise° C |
|----------|----|-------|--------------|------|-----------------|---------------|
| 3220 | 3 | Cont. | F | 40°C | 1000M (3300 Ft) | < 80 |

| % Efficiency | | % Power Factor | | Torque | | Winding Resist. Ω | Safe Cold Start (Secs) |
|--------------|-------|----------------|------|------------------|-------|-------------------|------------------------|
| Full Load: | 96,2% | Full Load: | 0,87 | Full Load Ft/Lbs | 880,2 | | |
| 3/4 Load: | 96,0% | 3/4 Load: | 0,86 | Locked Rotor % | 140 | | |
| 1/2 Load: | 95,6% | 1/2 Load: | 0,85 | Break Down % | 245 | | |

| Rotor Inertia Wk2 Lb-Ft2 | Max Load Inertia Wk2 Lb-Ft2 | Shaft Material | Frame Material | DE Bracket Type | ODE Bracket Type | Enclosure | NEMA Rating | Lead Wire Size |
|--------------------------|-----------------------------|----------------|----------------|-----------------|------------------|-----------|-------------|----------------|
| 94,92 | 1500 | Standard | Cast Iron | Standard | Standard | TEFC | IP55 | 1AWG |

| Ball Bearings | | Grease | Mount Type | Orientation | Paint | Sound Pressure @ 3FT | Sound Power |
|---------------|------|-----------------|------------|-------------|-------|----------------------|-------------|
| DE | ODE | | | | | | |
| NU319 | 6318 | Mobil PolyrexEm | Rigid | Horizontal | Green | 93 | 105 |

| Inverter Duty. Motor meets MG1 parts 31.4.4.2 | Constant Torque Range | Variable Torque Range | Constant HP RPM |
|--|-----------------------|-----------------------|-----------------|
| | | 10:1 | 20:1 |

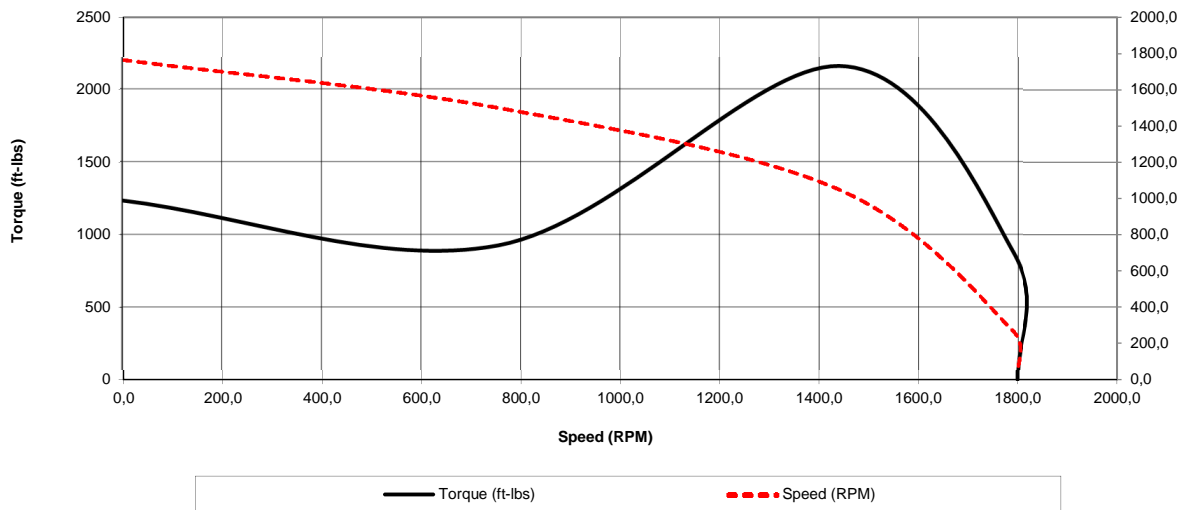


Date: 2020-02-27
 Customer: _____
 Contact: _____
 Submittee: J.C. Lavallée

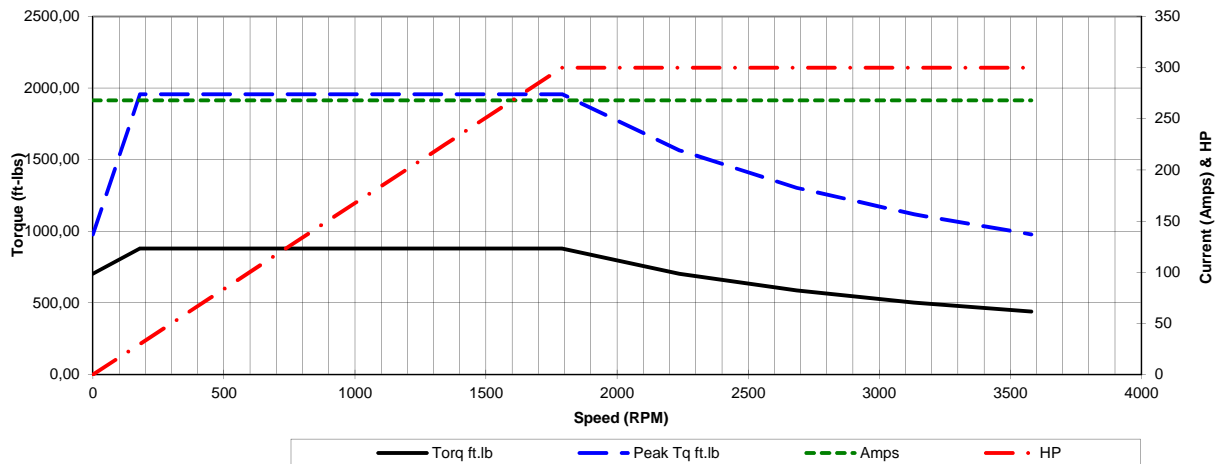
Catalogue #: **MPP-107**

| NEMA PREMIUM NR CAN NEMA 12 - 12 | | | | | | | | | | |
|----------------------------------|--------------|---------|-----------|------------|-----------|--------------------------------------|---------|----------------|------------------|---------------|
| HP | VAC | RPM | Enclosure | Frame | Frequency | Design | Poles | LR Code Letter | Insulation Class | Temp. Rise °C |
| 300 | 575 | 1790 | TEFC | 449T | 60 | B | 4 | G | F | < 80 |
| | 0Hz | 6Hz | 15Hz | 30Hz | 45Hz | 60Hz | 75Hz | 90Hz | 105Hz | 120Hz |
| Amps | 268 | 268 | 268 | 268 | 268 | 268 | 268 | 268 | 268 | 268 |
| RPM | 0 | 179 | 447,5 | 895 | 1342,5 | 1790 | 2237,5 | 2685 | 3132,5 | 3580 |
| Torq ft.lb | 704,18 | 880,22 | 880,22 | 880,22 | 880,22 | 880,22 | 704,18 | 586,82 | 502,98 | 440,11 |
| Peak Tq ft.lb | 979,25 | 1958,50 | 1958,50 | 1958,50 | 1958,50 | 1958,50 | 1566,80 | 1305,66 | 1119,14 | 979,25 |
| HP | 0 | 30,0 | 75,0 | 150,0 | 225,0 | 300,0 | 300,0 | 300,0 | 300,0 | 300,0 |
| | Locked Rotor | Pull-Up | Breakdown | Rated Load | Idle | Duty | S. F. | Ambient | Elevation | dBA @ 1M |
| Speed (RPM) | 0,0 | 756 | 1440 | 1790 | 1800 | Continuous | 1,15 | 40°C | 3300 ft | 93 |
| Current (Amps) | 1760,0 | 1496,0 | 1047,2 | 268,0 | 67,3 | VFD Rating: Meets MG1 parts 31.4.4.2 | | | | |
| Torque (ft-lbs) | 1232,3 | 924,2 | 2156,5 | 880,2 | 0,0 | C.T. | 10:1 | V.T. | 20:1 | |

Motor Speed Data



Motor Torque Capability vs RPM





Date: 2020-02-27
 Customer: _____
 Contact: _____
 Submittee: J.C. Lavallée

Catalogue #: **MPP-107**

| NEMA PREMIUM NR CAN NEMA 12 - 12 | | | | | | | | | | |
|----------------------------------|-----|------|-----------|-------|-----------|--------|-------|----------------|------------------|---------------|
| HP | VAC | RPM | Enclosure | Frame | Frequency | Design | Poles | LR Code Letter | Insulation Class | Temp. Rise °C |
| 300 | 575 | 1790 | TEFC | 449T | 60 | B | 4 | G | F | < 80 |

| Load % | 0% | 25% | 50% | 75% | 100% | 125% | 150% |
|-------------|-------|--------|--------|--------|--------|---------|---------|
| Amps | 67,27 | 95,81 | 147,13 | 205,02 | 268,00 | 335,62 | 408,85 |
| Torq ft/lbs | 0 | 219,14 | 438,89 | 659,25 | 880,22 | 1101,82 | 1324,03 |
| RPM | 0 | 1797,5 | 1795 | 1792,5 | 1790 | 1787,5 | 1785 |
| Eff | 0 | 87,13 | 95,60 | 96,00 | 96,20 | 96,20 | 96,20 |
| PF | 0 | 67,3 | 85 | 86 | 87 | 87 | 85,7 |

| | Locked Rotor | Pull-Up | Breakdown | Rated Load | Idle | Duty | S. F. | Ambient | Elevation | dBA @ 1M |
|-----------------|--------------|---------|-----------|------------|--------|--------------------------------------|-------|---------|-----------|----------|
| Speed (RPM) | 0 | 756 | 1440 | 1790 | 1800 | Continuous | 1,15 | 40°C | 3300 ft | 93 |
| Current (Amps) | 1760 | 1496,0 | 1047,2 | 268 | 67,268 | VFD Rating: Meets MG1 parts 31.4.4.2 | | | | |
| Torque (ft-lbs) | 1232,31 | 924,23 | 2156,55 | 880,22 | 0,0 | C.T. | 10:1 | V.T. | 20:1 | |

